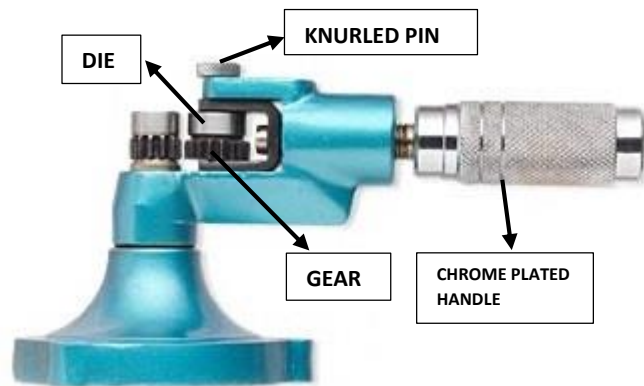


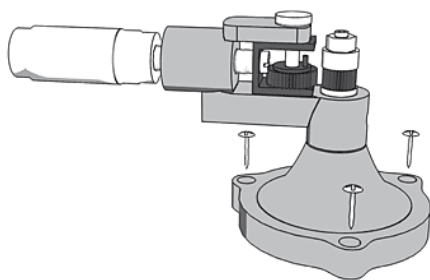
Ring Stretcher instruction

This ring enlarger provides an easy way for you to enlarge stone-set rings as well as plain rings. You can roll out the shank, stretching the metal and enlarging the ring, without loosening prongs or stressing stone settings.



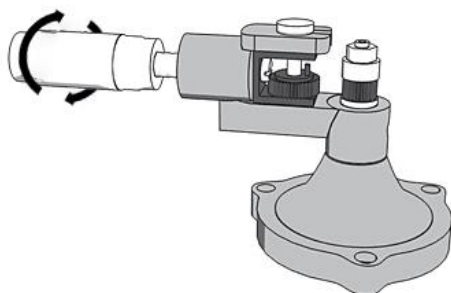
Please Note: You will need to repolish the ring shank after stretching is complete

STEP-1



- **Attach the ring stretcher to a sturdy surface (screws not included).**

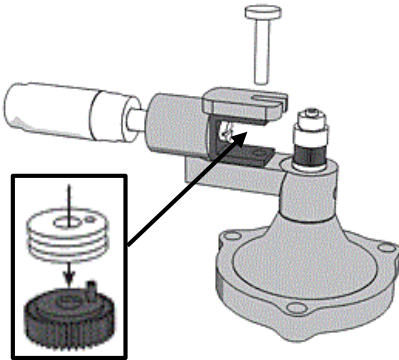
STEP-2



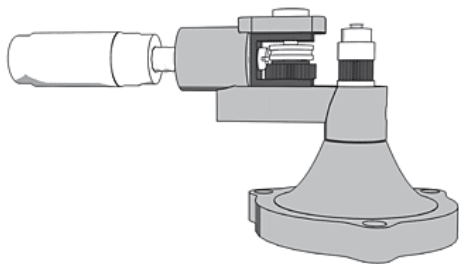
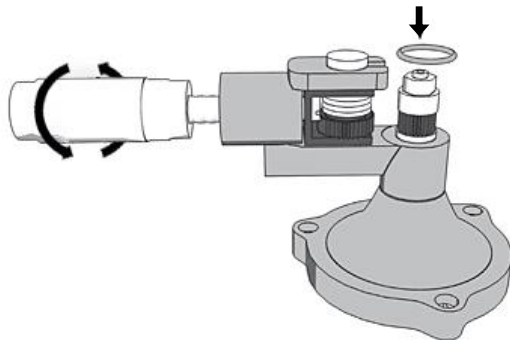
- **Turn the chrome plated handle counter clockwise to open die – pin attachment.**

STEP-3

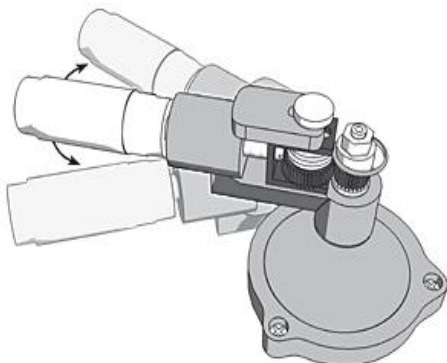
Choose a die (half-round,"v" or plain) that best matches the ring shank and then align the groove width of the die with the ring.

STEP-4

- **Lift the knurled pin, place the selected die on top of the black gear (the hole in the die goes over the peg on the gear), then replace the pin.**

**STEP-5**

- **Place the ring to be stretched on the shaft which is attached to the base and tighten the handle.**

STEP-6

- **Continue tightening while rotating the handle 360 degrees to stretch a plain band or back and forth for a ring with stone setting.**